

# GNExL1 PA Loudspeaker 15W

**The flameproof GNExL1 PA loudspeaker is suitable for Zone 1 & Zone 2 applications.**

The GNEx range features enclosures manufactured from GRP (glass reinforced polyester), moulded in natural red, but also available in other colours.

The re-entrant flare horn is high impact, fire retardant ABS. All models have two M20 cable entries, large termination areas containing in & out terminals and an ingress protection of IP66/67.

## Features

- Very large termination area.
- Ratchet adjustable stainless steel 'U' bracket.
- IN & OUT terminals

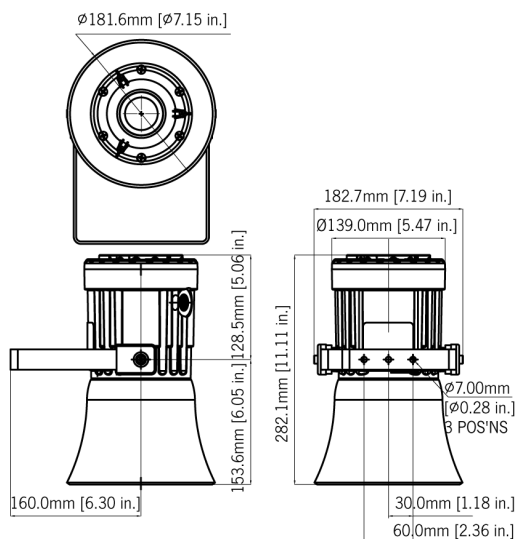
## Approvals

- ATEX certificate: SIRA 13ATEX1139X,  
EN 60079-0 : 2012, EN 60079-1 : 2007
- IECEx certificate: IECEx SIR 13.0029X,  
IEC 60079-0 : 2011 (Ed6), IEC 60079-1 : 2007 (Ed6)

## Coding

- II 2G Ex d IIC T4 Ta. -60° to +50°C
- II 2G Ex d IIC T3 Ta. -60° to +70°C
- II 2G Ex d IIB T6 Ta. -60° to +50°C
- II 2G Ex d IIB T5 Ta. -60° to +65°C
- II 2G Ex d IIB T4 Ta. -60° to +70°C





## Specification

SPL:	102dB +/-3dB @ 1w @ 1m (Pink) 113dB +/-3dB @ 15w @ 1m (Rated)
Rated power:	15 Watts RMS
70v line tapings:	15w / 7.5w / 3w / 1w
100v line tapings:	15w / 7.5w / 3w / 1w
Low impedance:	8 Ohm or 16 Ohm
Dispersion:	120° @ 1kHz & 32° @ 4kHz
Frequency range:	400Hz to 8000 Hz
DC Line monitoring:	2.2µF Capacitor (Transformer) 470µF Capacitor (Low impedance)
Ingress protection:	IP66/67
Housing material:	GRP
Colour:	RAL3000 Red (others available on request)
BExL15 flare:	High impact UL94 V0 & 5VA FR ABS (Red)
Cable entries:	Dual M20 ISO
Terminals:	0.5 to 4.0mm <sup>2</sup> cables.
Weight:	70/100V line: 3.8kg/8.36lbs Low imp.: 3.45kg/7.59lbs

## Part Codes

Version:	Part code:
Product type:	GNEXL1
Type:	V100 100V/70V Line Transformer R008 8 Ohm Low impedance R016 16 Ohm Low impedance
Stopping plug material: [m]	B Brass N Nickel Plated S Stainless Steel
Bracket material: [s]	1 A2 304 Stainless Steel 2 A4 316 Stainless Steel 3 A2 304 St/St with Equip. Tag 4 A4 316 St/St with Equip. Tag (304)
Product version: [v]	A1 Approval to ATEX & IECEx (default)
Enclosure colour: [x]	R Red S Special colour - contact sales
Example:	GNEXL1R008[m][s][v][x] GNEXL1R008B1A1R  GNEXL1 8 Ohm Brass stopping plug, 304 stainless steel mounting bracket, approved to ATEX & IECEx in a red housing.